



DATA SHEET

GH317A(P1)

Inverter for Samsung LTM190BT03

Version 1.0

03.11.2008

The information contained in this document has been carefully researched and is, to the best of our knowledge, accurate. However, we assume no liability for any product failures or damages, immediate or consequential, resulting from the use of the information provided herein. Our products are not intended for use in systems in which failures of product could result in personal injury. All trademarks mentioned herein are property of their respective owners. All specifications are subject to change without notice.

TO : customers

DATE : 2008.11.03

DOCUMENTATION FOR APPROVAL

PRODUCT : CCFL BACKLIGHT INVERTER(RoHS)

MODEL NAME : GH317A(P1)(RoHS Inverter)

GCCT NAME : GCCT317PB(PWM Dimming)

APPROVAL	CHECKED	WRITTEN

PLEASE RETURN ONE DOCUMENT AFTER APPROVED SIGN.

	INVERTER SPECIFICATION (GH317A(P1))	R&D DATE : 2008.11.03
--	--	--------------------------

NO	DATE	REVISION	PAGE

REVISION HISTORY

REV.											
Page											
REV.											
Page											
REV.	0	0	0	0	0						
Page	1	2	3	4	5						

	INVERTER SPECIFICATION (GH317A(P1))	R&D DATE : 2008.11.03
--	--	--------------------------

1. APPLICATION

This Document Specified The Detailed Product Requirements of Inverter
GH317A(P1)

2. SUITABLE LOAD

LCD MODULE : 19" 2LAMP TFT LCD

3. ELECTRICAL CHARACTERISTICS

3-1. Absolute Maximum Ratings

ITEM	SYMBOL	SPEC	UNIT	REMARKS
INPUT VOLTAGE1	Vin1	10.8 ~ 13.2V	V	
INPUT VOLTAGE2	Vin2	4.9~5.1	V	
OPERATING TEMPERATURE	Top	-30~80	℃	
STORAGE TEMPERATURE	Tstg	-30~80	℃	
RELATIVE HUMIDITY	RH	90	%	

3-2. Control Signal

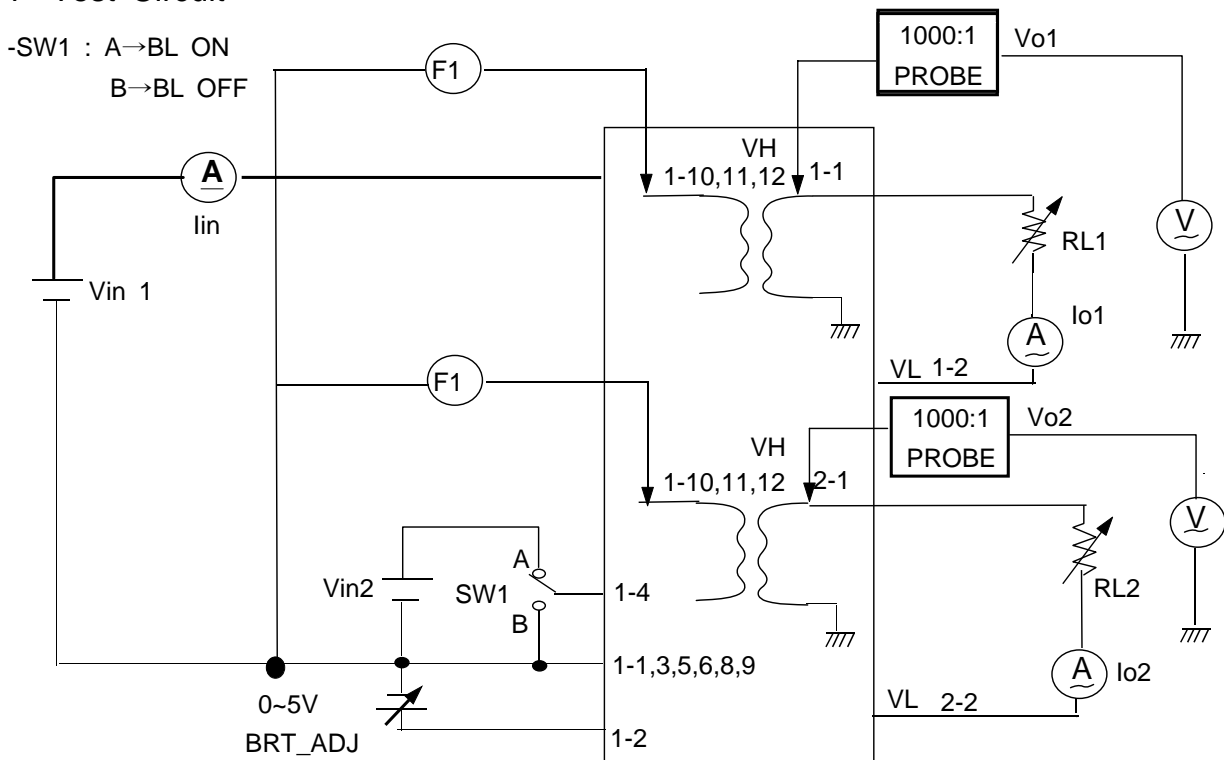
PIN NO.	SYMBOL	STATUS	ACTION	REMARKS
CN1 #4	BKLT_ON	HIGH	LAMP(CCFL)-ON	2.4~5.25V
		LOW	LAMP(CCFL)-OFF	0.8V MAX

		INVERTER SPECIFICATION (GH317A(P1))			R&D DATE : 2008.11.03		
--	--	---	--	--	--------------------------	--	--

3-3. Output Characteristics

ITEM	SYMBOL	CONDITION			SPECIFICATION			UNIT
		Vin1(V) (DC-IN)	BRT-ADJ	Lamp	MIN	TYP	MAX	
OUTPUT CURRENT	Io1(max)	12	0V	Lamp	7.0	7.5	8.0	mArms
	Io1(min)	12	5V	Lamp	-	TBD	-	
	Io2(max)	12	0V	Lamp	7.0	7.5	8.0	
	Io2(min)	12	5V	Lamp	-	TBD	-	
INPUT CURRENT	Iin(1)	12	0V	Lamp	0.5	1.0	1.5	ADC
Open Voltage	Io1,2(max)	12	0V	Lamp	1.6	-	-	KVrms
FREQUENCY	F	12	0V	Lamp	45	50	55	KHz

3.4 Test Circuit



	INVERTER SPECIFICATION (GH317A(P1))	R&D DATE : 2008.11.03
--	--	--------------------------

4. INTERFACE

4.1 CN1 CONNECTOR : 12505WR-12A00(YEON-HO) or Equivalent

PIN NO	SYMBOL	REMARK
2	BRT_ADJ	0 ~ 5V
1,3,5,6,8,9	GND	GND
4	BL ON/OFF	CCFL Drive SIGNAL(Active HIGH)
7	N.C	
10,11,12	DC-IN(Vin)	DC INPUT Power (12V)

4.2 CN2 CONNECTOR : 35001WR-02A00(YEON-HO) or Equivalent

PIN NO.	SYMBOL	REMARK
1	HOT	HIGH
2	COLD	LOW

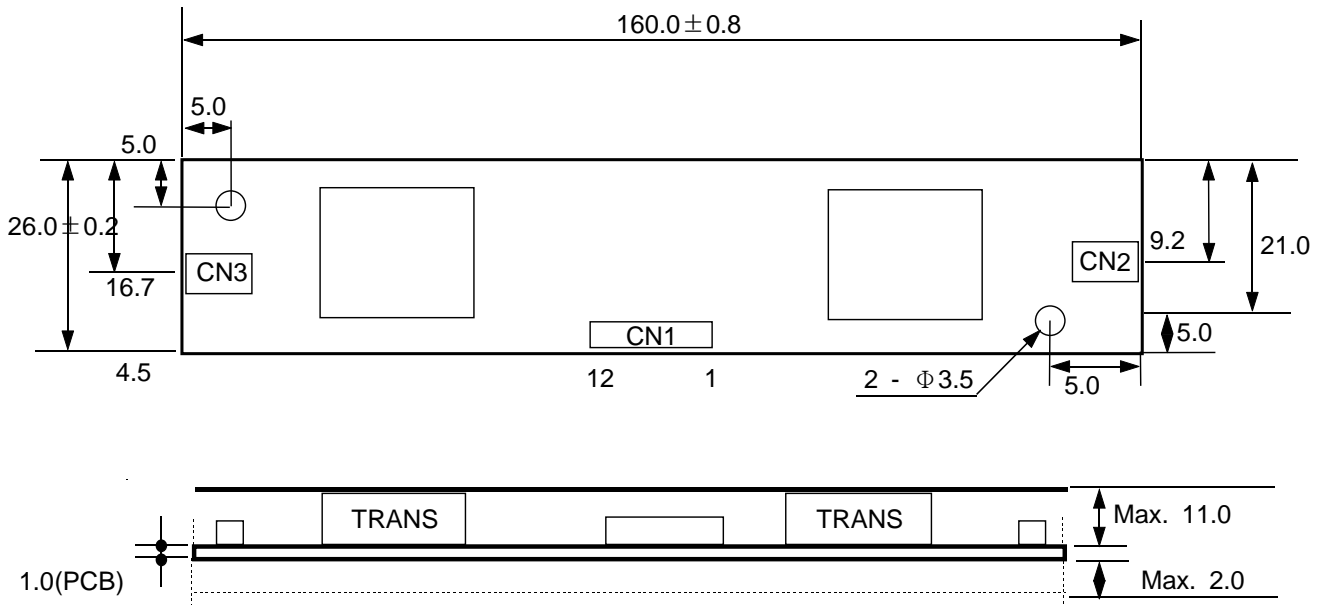
4.3 CN3 CONNECTOR : 35001WR-02A00(YEON-HO) or Equivalent

PIN NO.	SYMBOL	REMARK
1	HOT	HIGH
2	COLD	LOW

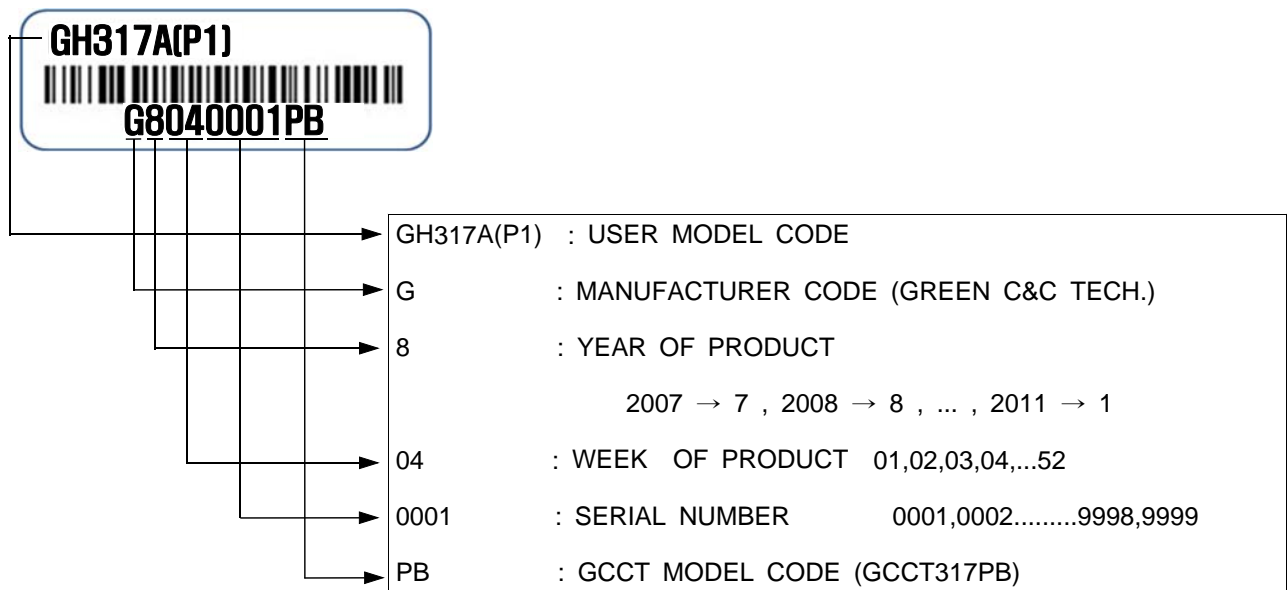
	INVERTER SPECIFICATION (GH317A(P1))	R&D DATE : 2008.11.03
--	--	--------------------------

5. APPEARANCE (UNIT : mm)

(TOLERANCE: ±0.2mm)



6. NOTATION OF LOT NUMBER





DATA DISPLAY GROUP

Our company network supports you worldwide with offices in Germany, Turkey, Great Britain and the USA. For more information please contact:



DISTEC GmbH

Distec GmbH

Augsburger Str. 2

82110 Germering

Germany

Phone: +49 (0)89 / 89 43 63-0

Fax: +49 (0)89 / 89 43 63-131

E-Mail: info@distec.de

Internet: www.distec.de



DATA DISPLAY TEKNOLOJİ

Data Display Teknoloji Elektronik San Ve Dış Tic A.Ş.

Kustepe Leylak Sok.

Nursanlar Is Merkezi

Kat. 6 No: 21

Sisli / Istanbul

Turkey

Phone: +90 (0)212 / 356 04 20

Fax: +90 (0)212 / 356 04 25

E-Mail: info@datadisplay.com.tr

Internet: www.datadisplay.com.tr



DISPLAY TECHNOLOGY

Display Technology Ltd.

A2 Spectrum Business Centre

Anthony's Way, Medway City Estate

Rochester, Kent, ME2 4NP

United Kingdom

Phone: + 44 (0)1634 / 29 55 55

Fax: + 44 (0)1634 / 29 55 43

E-Mail: info@displaytechnology.co.uk

Internet: www.displaytechnology.co.uk



**Apollo
Display
Technologies**

A Data Display Company

Apollo Display Technologies, Corp.

85 Remington Blvd.

Ronkonkoma, NY 11779

United States of America

Phone: +1 631 / 580-43 60

Fax: +1 631 / 580-43 70

E-Mail: info@apollodisplays.com

Internet: www.apollodisplays.com