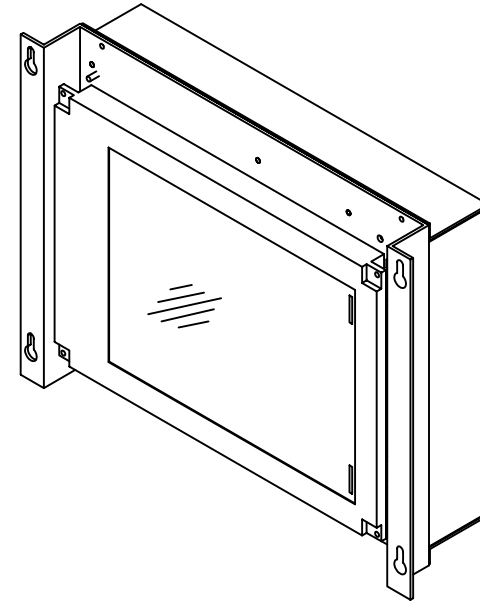
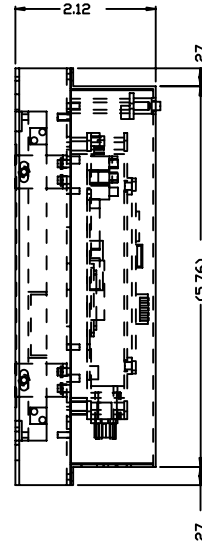
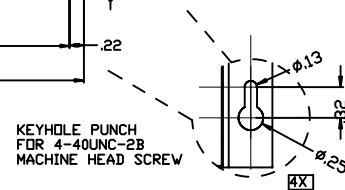
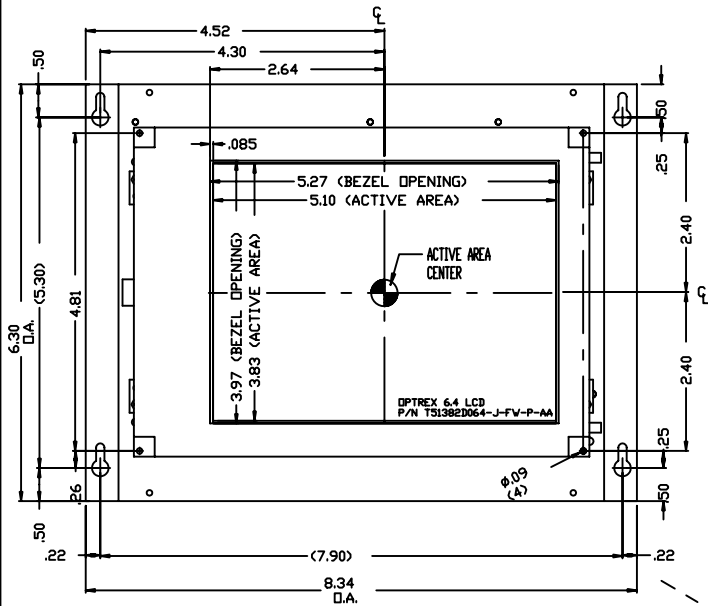
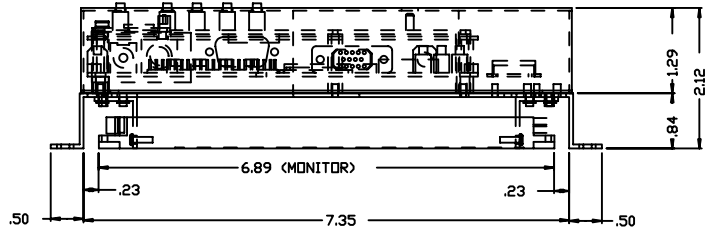


| DATE     | SYN | REVISIONS RECORD                             | AUTH | DR | CK |
|----------|-----|--|------|----|----|
| 6/3/03   | A   | PRODUCTION RELEASE                           | EC   | EC |    |
| 10/01/04 | B   | ROTATED DISPLAY 90 DEGREES IN MECHANICAL DWG | EC   | EC |    |



PROPRIETARY INFORMATION OF APOLLO DISPLAYS. THIS DWG IS CONFIDENTIAL AND CONTAINS PROPRIETARY DATA WHICH IS THE EXCLUSIVE PROPERTY OF APOLLO DISPLAYS. DISCLOSURE REPRODUCTION OR USE OF ALL OR ANY PORTION OF THIS DWG WITHOUT THE PRIOR WRITTEN CONSENT OF APOLLO DISPLAYS IS EXPRESSLY PROHIBITED.

| TOLERANCES EXCEPT AS NOTED |               | APOLLO DISPLAY TECHNOLOGIES |  | JOB NO.   |
|----------------------------|---------------|-----------------------------|--|-----------|
| DECIMALS                   | .00 = +/- .00 | CUSTOMER:                   | STANDARD   | 9916-1    |
| FRACTIONAL                 | = +/- 1/64    | DRAWING NUMBER:             | ADT-600-D/P  | DUE DATE: |
| ANGULAR                    | = +/- 1°      | TITLE:                      | LCD MONITOR DISPLAY HOLDER<br>OPTREX 6.4 T51382D064J-FV-P-AA | 10/01/04  |
| FINISH:                    | N/A           | DATE:                       | 10/01/04   | REV       |
|                            |               | SCALE:                      | NTS  | B         |
|                            |               | DRAWN BY:                   | EC   | REV       |
|                            |               | APPROVED BY:                |  | B         |
|                            |               | DRAWING NUMBER:             | ADT-600-D/P  | FILE NO.  |
|                            |               |                             |  | 9916      |
|                            |               |                             |  | SHEET     |
|                            |               |                             |  | 1 of 1    |