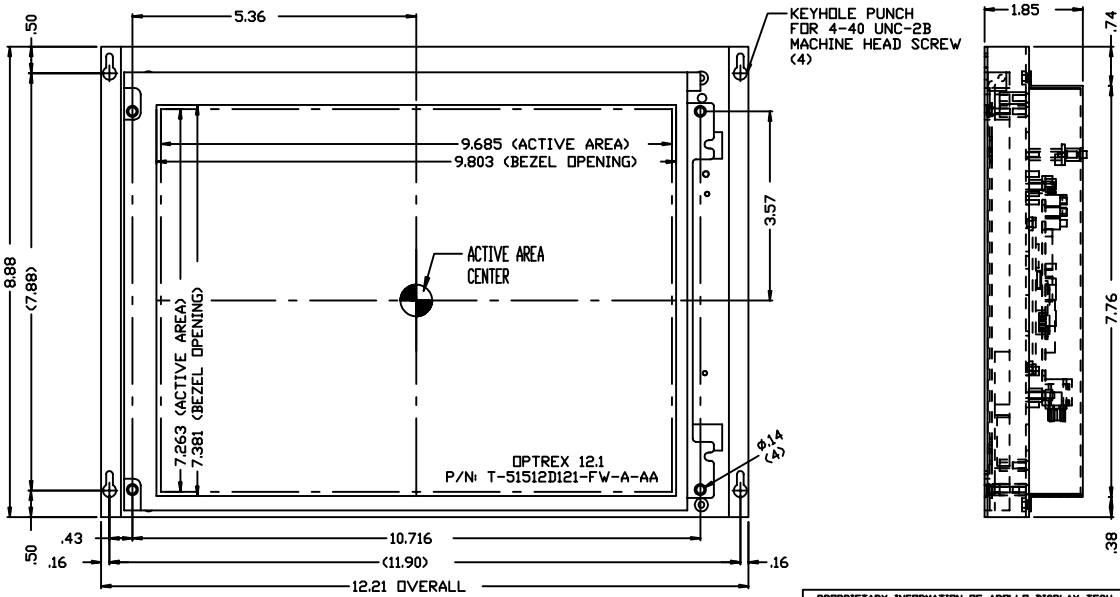
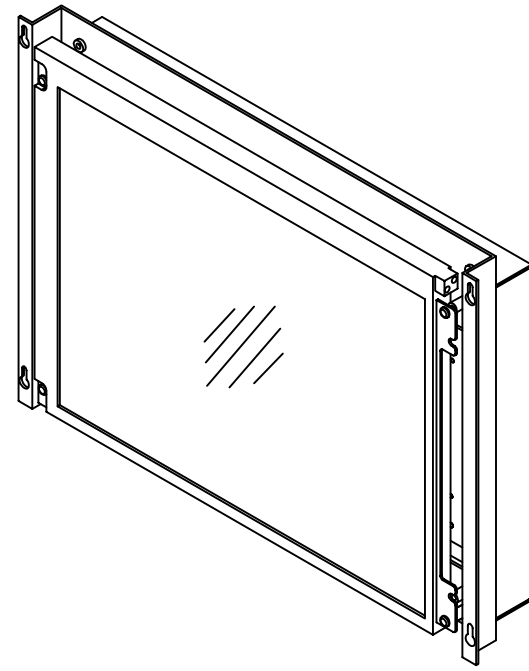
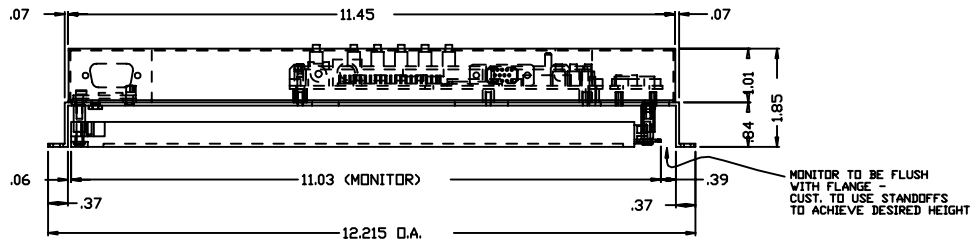


DATE	SYM	REVISIONS RECORD	AUTH	DR	CK
3/18/03	1	INITIAL SUBMITTAL	EC	EC	---
4/6/03	2	REDUCED OVERALL SIZE OF ASSEMBLY	EC	EC	---
4/22/03	3	RELOCATED TOUCH CONTROLLER BOARD	EC	EC	---



PROPRIETARY INFORMATION OF APOLLO DISPLAY TECH. THIS DWG IS CONFIDENTIAL AND CONTAINS PROPRIETARY DATA WHICH IS THE EXCLUSIVE PROPERTY OF APOLLO DISPLAY TECH. DISCLOSURE, REPRODUCTION OR USE OF ALL OR ANY PORTION OF THIS DWG WITHOUT THE PRIOR WRITTEN CONSENT OF APOLLO DISPLAY TECH. IS EXPRESSLY PROHIBITED.

TOLERANCES (EXCEPT AS NOTED)		APOLLO DISPLAY TECHNOLOGIES, LLC	
DECIMALS ±.02 = +/- .02 ±.01 = +/- .01	INTERNAL N/A	CUSTOMER: STANDARD	JOB NO. 9916-1
FRACTIONAL ± +/- 1/64	FINISH N/A	DRAWING NUMBER: QNAD ADT-120-0P	FILE DATE: 3/25/03
ANGULAR ± +/- 2°	RADIUS N/A	TITLE: LCD MONITOR DISPLAY HOLDER DPTREX 12.1 T-51512D121-FW-A-AA L.G. PHILIPS 12.1 LB121S02	REV 3
DATE: 3/18/03	SCALE: NTS	DRAWN BY: EC	FILE NO. 9916
DRAWING NUMBER: ADT-120-0P	APPROVED BY: -	SHEET 1 OF 4	