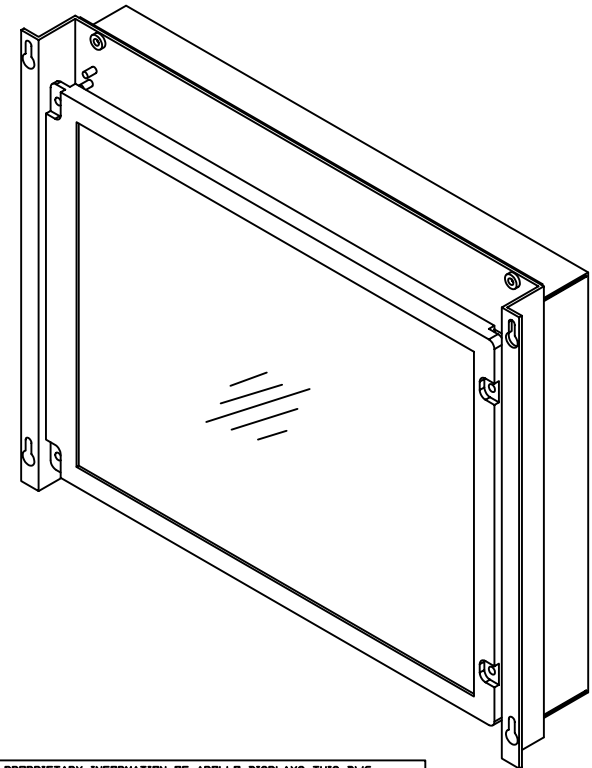
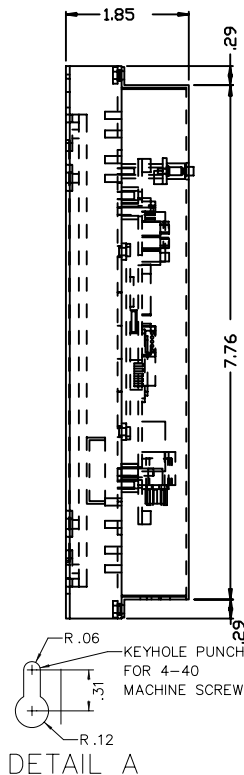
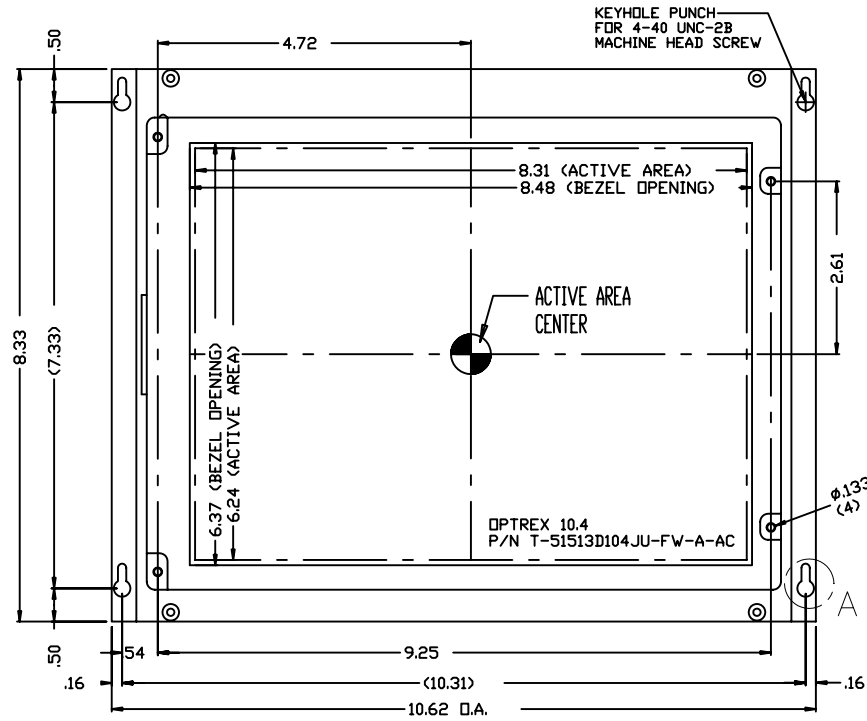
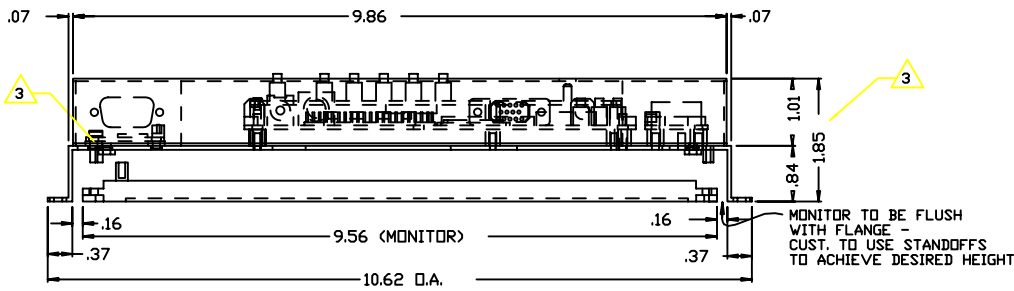


DATE	SYN	REVISIONS RECORD	AUTH	DR	CK
3/18/03	1	INITIAL SUBMITTAL	EC	EC	
4/10/03	2	REDUCED OVERALL SIZE OF ASSEMBLY	EC	EC	
4/16/03	3	RELOCATED TOUCH CONTROLLER BOARD OVERALL HEIGHT WAS 2.50 IS NOW 1.85 REDUCED FLANGE SIZE FROM .50 TO .37	EC	EC	
8/28/04	D	PRODUCTION RELEASE	EC	EC	



PROPRIETARY INFORMATION OF APOLLO DISPLAYS THIS DWG IS CONFIDENTIAL AND CONTAINS PROPRIETARY DATA WHICH IS THE EXCLUSIVE PROPERTY OF APOLLO DISPLAYS DISCLOSURE REPRODUCTION OR USE OF ALL OR ANY PORTION OF THIS DWG WITHOUT THE PRIOR WRITTEN CONSENT OF APOLLO DISPLAYS IS EXPRESSLY PROHIBITED

TOLERANCES EXCEPT AS NOTED		APOLLO DISPLAY TECHNOLOGIES		JOB NO.
DECIMALS 30 = +/- .02 200 = +/- .005	INTERNAL N/A	CUSTOMER STANDARD		DUE DATE
FRACTIONAL = +/- 1/64	RIBS N/A	DRAWING NUMBER QMAD ADT-100-DP		REV D
ANGULAR = +/- 2°	DR N/A	TITLE LCD MONITOR DISPLAY HOLDER OPTREX 10.4 T-51513D104JU-FW-A-AC LG. PHILIPS 10.4 LP104V2		REV A
FINISH N/A	PLANK SIZE N/A	DATE 8/15/04	SCALE NTS	FILE NO
	QT N/A	DRAWN BY EC	APPROVED BY	
		DRAWING NUMBER ADT-100-DP		SHEET 1 of 4

DETAIL A